

Pressure Relief Valve DBD 06

Pressure Relief Valve

direct operated

Nom. size : 06
Nom. flow capacity : 40 l/min
Nom. operating pressure : 400 bar

Description

Direct spring pressure relief valve, type DBD, are suitable for inline mounting and serve for limitation of operating pressure in hydraulic systems.

The operating pressure is optionally adjustable by hexagon socket grub screw (with protection cap) or by knob.

The relief valves are available in different pressure ranges. The valve is equipped with a valve seat sealed by a spring loaded poppet.

If the set spring force is overcome by the line pressure the poppet lifts up from the seat and gives free flow from pressure to drain chamber.

The valves are available as cartridge or inline pressure relief valves.

General characteristics

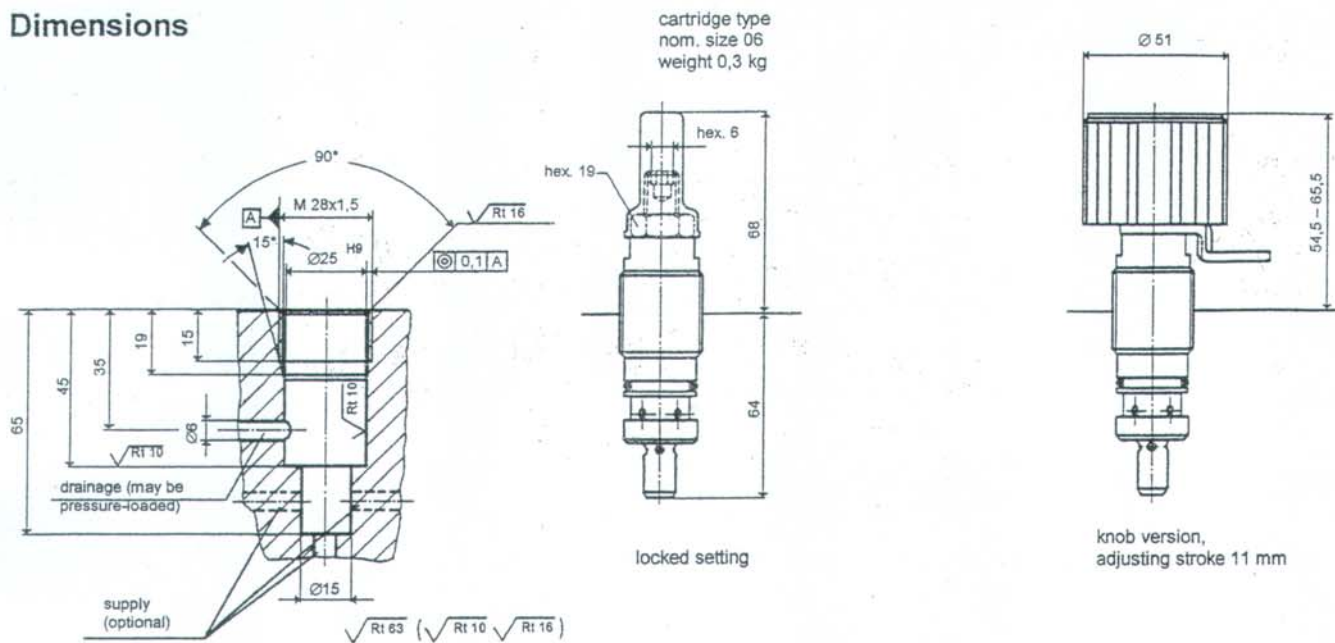
Construction	poppet type
Mounting	cartridge type inline type
Connection size	G 1/4 G 3/8 on request
Dimensions	page 2
Weight	page 2
Fitting position	optional
Perm. Ambient Temper.	$\vartheta_{u \max} = +60 \text{ }^\circ\text{C}$

Hydraulic characteristics

Set pressure range	$p_{v \min}$	= 10 bar
	$p_{v \max}$	= 400 bar
Input pressure	$p_{e \min}$	= 20 bar
	$p_{e \max}$	= 410 bar
Outlet pressure	$p_{R \max}$	= 210 bar
Fluid temperature	$\vartheta_{m \min}$	= -20 °C
	$\vartheta_{m \max}$	= +80 °C
Viscosity	v_{\min}	= 10 mm ² /s
	v_{\max}	= 600 mm ² /s
p_v -Q-curve	page 3	
Shock absorption	poppet with damping piston	
Hydraulic fluids	hydraulic oils to DIN 51524 / 25 other fluids on request	
Filtration	≤ 20 µm	

Pressure Relief Valve DBD 06

Dimensions



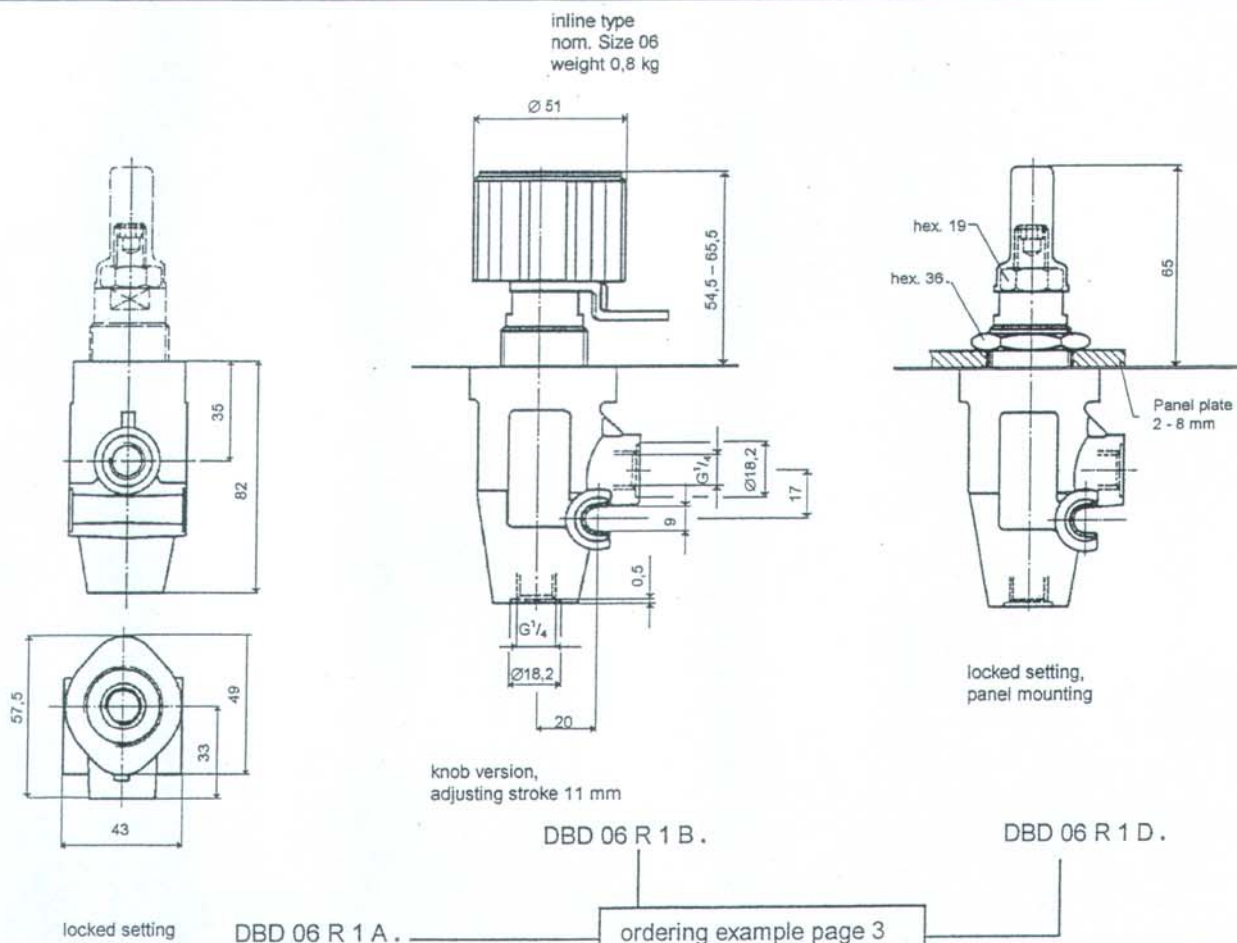
DBD 06 E 1 A .

DBD 06 E 1 B .

Installation details

M 28 x 1,5 = Isometric fine thread with pitch 1,5 mm acc. to standard DIN 13
 Ø 25 H9 = 25,000 up to 25,052
 Ø 15 = dia. 15

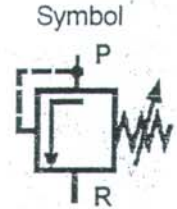
ordering example page 3



Ordering example

DBD 06 E 1 A .

	Pressure range bar		Flow l/min	
	from	to	at	at
	p_{v1}	p_{v2}	Q_{max1} p_{v1}	Q_{max2} p_{v2}
400	80	400	15	40
315	10	315	10	30
200	35	200	8	25
125	20	125	5	15
063	10	63	5	10



p_v - Q - Curves

Viscosity = 34 mm²/s

